

# SPECIFICAȚII TEHNICE

## CULTICHISSEL 2 RINDURI CH

2 rinduri

Brat 27x27

Modele fix

Modele pliabile manual (P)

Structura tub 80x80x8 mm.

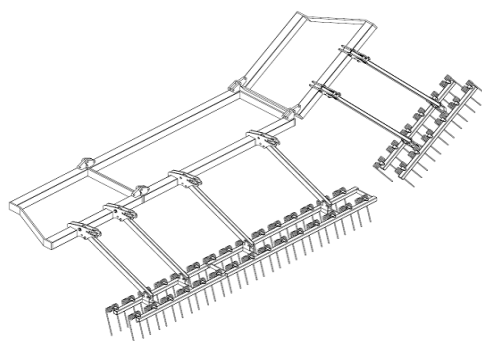


MODEL	NÚMAR BRATE	BRATE FIXE PLIABILE	LATIME DE LUCRU	ADANCIME IN cm.	GREUTATE (KG)	PUTERE NECESARA (cp)
CH-7	7	7	1,75	20 cm	210	40-60
CH-9	9	9	2,30	20 cm	270	65-70
CH-9-P	9	1+7+1	2,30	20 cm	280	65-70
CH-11	11	11	2,85	20 cm	310	75-80
CH-11-P	11	1+9+1	2,85	20 cm	335	75-80
CH-13-P	13	1+11+1	3,40	20 cm	355	90-95
CH-15-P	15	2+11+2	3,90	20 cm	460	100-105
CH-17-P	17	4+9+4	4,50	20 cm	640	110-115
CH-19-P	19	4+11+4	5,05	20 cm	630	120-125
CH-21-P	21	5+11+5	5,60	20 cm	710	130-135
CH-23-P	23	5+11+6	6,15	20 cm	830	140-145

OPTIUNI:

PLIABILE HIDRAULIC

GREBLA CHISSEL



## SUPERCHISSEL 2 RINDURI CHR

2 rinduri

Brat 40x30

Modele fix

Modele pliabile manual (PM)

Structura tub 100x100x10 mm.

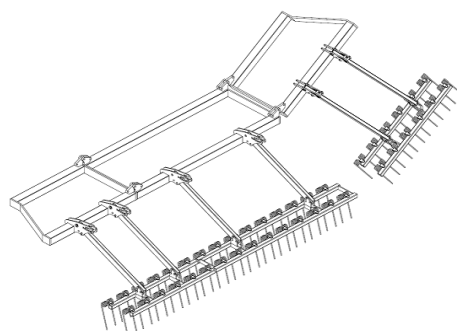


MODEL	NÚMAR BRATE	BRATE FIXE PLIABILE	LATIME DE LUCRU	ADANCIME IN cm.	GREUTATE (KG)	PUTERE NECESARA (cp)
CHR-7	7	7	1,75	25 cm	390	60-65
CHR-9	9	9	2,30	25 cm	440	70-75
CHR-9-P	9	1+7+1	2,30	25 cm	470	70-75
CHR-11	11	11	2,85	25 cm	560	80-85
CHR-11-P	11	1+9+1	2,85	25 cm	568	80-85
CHR-13-P	13	1+11+1	3,40	25 cm	630	90-95
CHR-15-P	15	2+11+2	3,90	25 cm	680	100-105
CHR-17-P	17	4+9+4	4,50	25 cm	750	110-120
CHR-19-P	19	4+11+4	5,05	25 cm	830	120-130
CHR-21-P	21	5+11+5	5,60	25 cm	1.150	140-150
CHR-23-P	23	5+11+6	6,15	25 cm	1.259	150-160

OPTIUNI:

PLIABILE HIDRAULIC

GREBLA CHISSEL



**PLUG DE DISC**



MODEL FIX

MODEL	DIAMETRU DISC	LATIME DE LUCRU	ADANCIME IN cm.	GREUTATE (KG)	PUTERE (CP)
A-4-26	26"	130	35	525	65
A-4-28	28"	135	38	550	70
A-5-26	26"	155	35	660	85
A-5-28	28"	160	38	680	95



MODEL REVERSIBIL

MODEL	DIAMETRU DISC	LATIME DE LUCRU	ADANCIME IN cm.	GREUTATE (KG)	PUTERE (CP)
AR-4-26	26"	130	35	990	90
AR-4-28	28"	135	38	1.008	100
AR-5-26	26"	155	35	1.180	110
AR-5-28	28"	160	38	1.197	120

## VERNETE V

Brat 40x40

Modele pliabile manual (PM)

Structura tub 100x100x10 mm.



MODEL	NUMAR BRATE	LATIME DE LUCRU	ADANCIME IN cm.	GREUTATE (KG)	PUTERE NECESARA
V-5	5	1,60	30 cm	510	85
V-6	6	1,92	30 cm	612	105
V-7	7	2,24	30 cm	714	120
V-8-P	7+1	2,56	30 cm	840	135
V-9-P	8+1	2,88	30 cm	972	150
V-10-P	1+8+1	3,20	30 cm	1.080	180
V-11-P	8+2	3,20	30 cm	1.188	200
V-12-P	2+8+2	3,84	30 cm	1.296	200

### GRUPURI OPTIONALE

Increment pe roti duble

Increment pe atasabil hidrăulic

## SUBSOLATOR SB

Profunzime de lucru de 60 cm.

MODEL	NÚMAR BRATE	LATIME BRAT (mm)	DISTANTA FIECARE BRAT	LATIME DE LUCRU	GREUTATE (KG)	PUTERE NECESARA
SB 3	3	30	400	0,80	362	70
SB 5	5	30	400	160	610	90
SB 7	7	30	400	240	843	110

### OPTIONALE

Tavalug SB 3

Tavalug SB 5

Tavalug SB 7



## SUBSOLATOR SBR

Profunzime de lucru de 80 cm.

MODEL	NUMAR BRATE	LATIME BRAT (mm)	DISTANTA FIECARE BRAT	LATIME DE LUCRU	GREUTATE (KG)	PUTERE NECESARA
SBR 3	3	50	450	0,90	450	100
SBR 5	5	50	450	1,35	750	130
SBR 7	7	50	450	2,70	1.100	170

### OPTIONALE

Tavalug SBR 3

Tavalug SBR 5

Tavalug SBR 7

